

**M12 male 0° / M12 female 0°**

TPE 8x22AWG ye UL/CSA, ITC/PLTC 2m

Male straight – female straight

M12 – M12, 8-pole

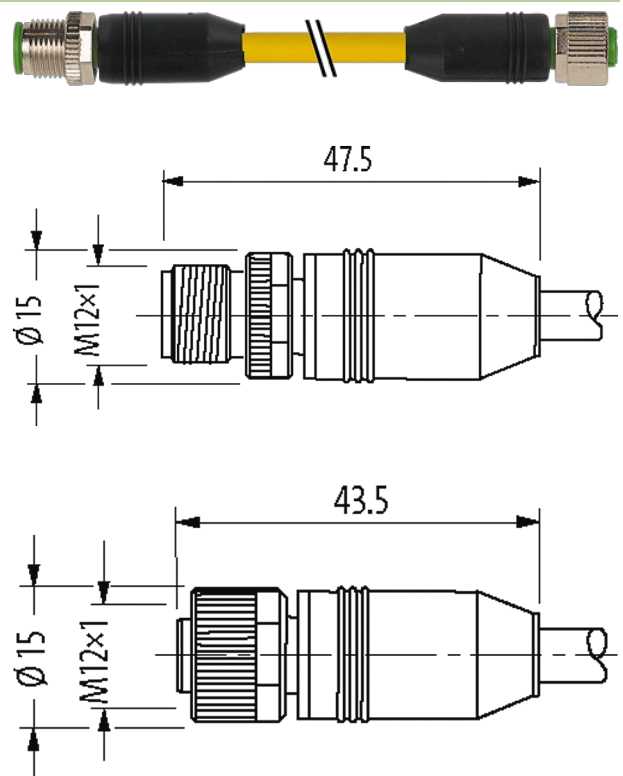
USA

Plastic housings with good resistance against chemicals and oils.

The resistance to aggressive media should be individually tested for your application. Further details on request.

Further cable lengths on request.

Cable is approved for 300 V

**[Link to Product](#)****Illustration**

Product may differ from Image

**Approvals**

\* only for products with UL/CSA approved cable

**Form**

Form 48001

**General data**

Standards DIN EN 61076-2-101 (M12)

Mounting method inserted, tightened

Material (contact) Copper alloy

Material (contact surface) Au

|                   |  |
|-------------------|--|
| Material (gasket) | FKM                                      |
| Pollution Degree  | 3  |
| Temperature range | -25...+85 °C, depending on cable quality |

#### Cables

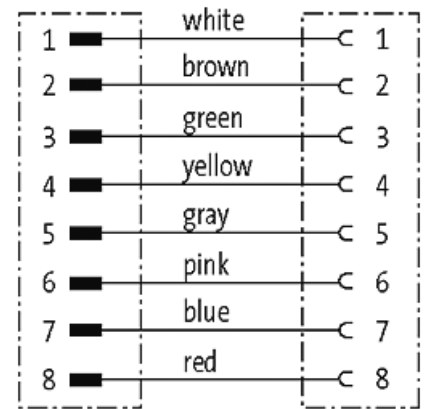
|                                     |  |
|-------------------------------------|--|
| Cable identification                | U0H  |
| Approval (cable)                    | UL (AWM-Style 20626/1731), CSA; CE conform     |
| Cable weight [g/m]                  | 70,40  |
| Material (wire)                     | Cu wire, bare                                  |
| Resistor (core)                     | max. 46.9 $\Omega$ /km (20 °C)                 |
| Single wire $\varnothing$ (core)    | 0.16 mm  |
| Construction (core)                 | 19x 0.16 mm (multi-strand wire class 5)        |
| Diameter (core)                     | 1 x 8x AWG22/19 (0.382)                        |
| Material (wire isolation)           | semi-rigid PVC                                 |
| Wire- $\varnothing$ incl. isolation | 1.27m $\pm$ 5%                                 |
| Color/numbering of wires            | br, wh, rd, bl, pk, gr, ye, gn                 |
| Stranding combination               | 8 wires twisted around central filler          |
| Material (jacket)                   | TPE  |
| Outer- $\varnothing$ (jacket)       | 6.7 mm $\pm$ 5%                                |
| Color (jacket)                      | yellow   |
| chemical resistance                 | good resistance to oil, gasoline and chemicals |
| thermal resistance                  | flame retardant                                |
| Nominal voltage                     | 300 V AC                                       |
| Test voltage                        | 2000 V AC                                      |
| Current load capacity               | to DIN VDE 0298-4                              |
| Temperature range (fixed)           | -40...+105 °C                                  |
| Temperature range (mobile)          | -20...+90 °C                                   |
| Bend radius (fixed)                 | 5x outer $\varnothing$                         |
| Bend radius (moving)                | 10x outer $\varnothing$                        |
| No. of bending cycles (C-track)     | max. 10 Mio. (25 °C)                           |
| Torsion stress                      | $\pm$ 180°/m                                   |
| Jacket Color                        | yellow   |

#### Technical Data

|  |  |
|--|--|
| Operating voltage                                      | max. 30 V AC/DC  |
| Operating voltage (only UL listed)                     | max. 30 V AC/DC  |
| Rated surge voltage                                    | 0.8 kV   |
| Operating current per contact                          | max. 2 A   |
| No. of poles   | 8  |
| Material group   | IEC 60664-1, category I  |
| Coding   | A-coded  |
| LED display  | no   |
| Locking of ports                                       | Screw thread (M12x1 mm) recommended torque 0.6 Nm, self-securing |
| Compression gland                                      | M12 (SW13)   |
| Protection   | IP65 and IP67 when plugged and screwed down (EN 60529)           |
| Material   | PUR  |
| Locking material                                       | Zinc die casting, matte nickel plated                            |
| suitable for corrugated tube (internal $\varnothing$ ) | without  |

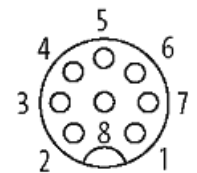
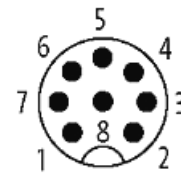
#### Commercial data

|                       |               |
|-----------------------|---------------|
| country of origin     | DE            |
| customs tariff number | 85444290      |
| EAN                   | 4048879733250 |
| eClass                | 27279218      |
| Packaging unit        | 1             |

**Sketch**

Male

Female



Product may differ from Image